

AND3001/D

Power Supply Application

110 W Output Flyback SMPS



ON Semiconductor®

<http://onsemi.com>

APPLICATION NOTE

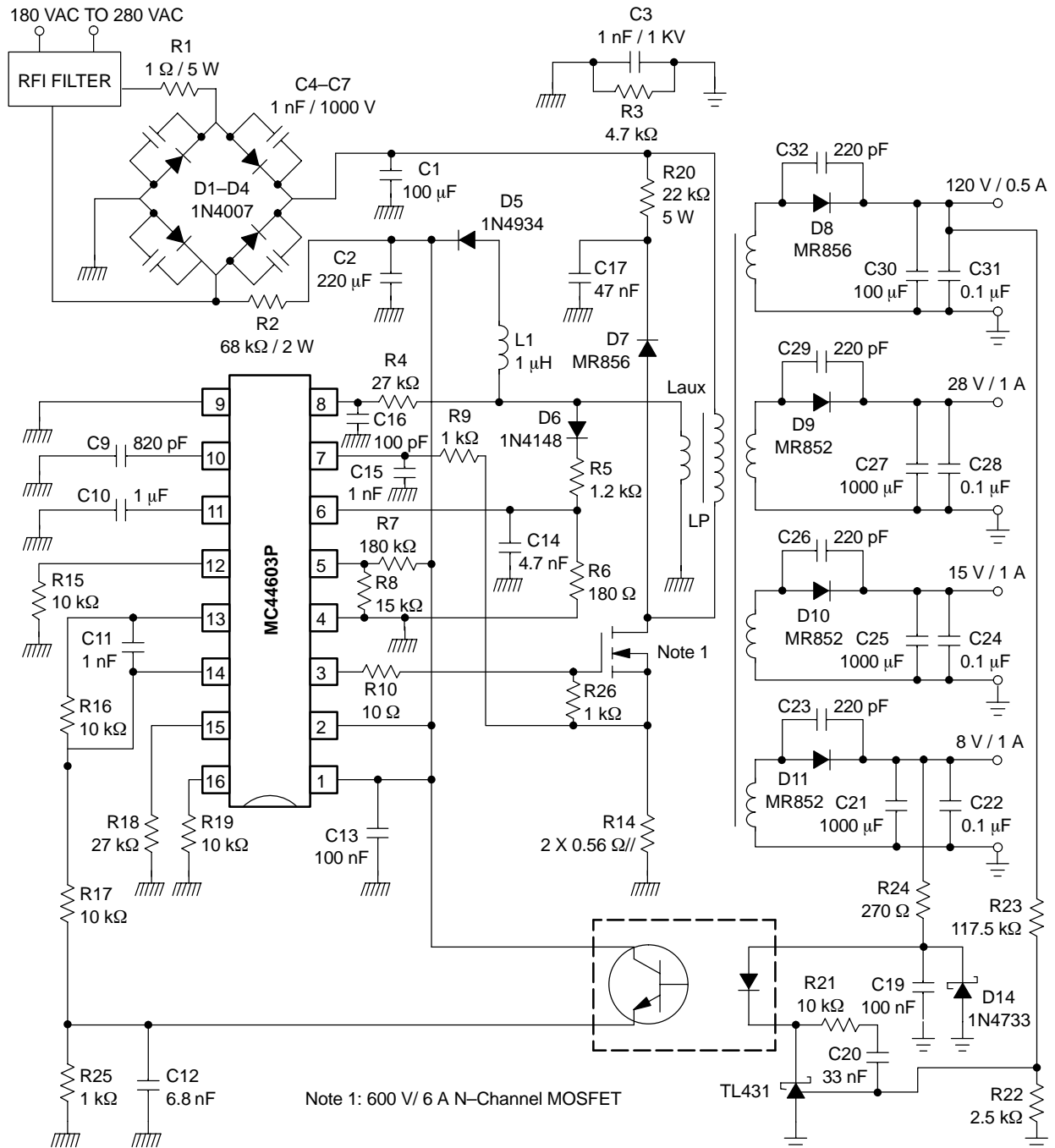


Figure 1. 110 W Output Flyback SMPS

AND3001/D

Features:


- Off-line operation from 180 V to 280 Vac mains.
- Fixed frequency and stand-by mode.
- Automatically changes operating mode based on load requirements.
- Precise limiting of maximum power in fixed frequency mode.

ON Semiconductor Advantages:

- Built-in protection circuitry for current limitation, overvoltage detection, foldback, demagnetization and softstart.
- Reduced frequency in stand-by mode.

Devices:

Part Number	Description
MC44603P	Enhanced Mixed Frequency Mode GreenLine™ PWM Controller
MR856	Fast Recovery Rectifier (600 V)
MR852	Fast Recovery Rectifier (200 V)
TL431	Programmable Precision Reference
1N4733A	Zener Voltage Regulator Diode (5.1 V)
1N4007	General Purpose Rectifier (1000 V)

ON Semiconductor and  are registered trademarks of Semiconductor Components Industries, LLC (SCILLC). SCILLC reserves the right to make changes without further notice to any products herein. SCILLC makes no warranty, representation or guarantee regarding the suitability of its products for any particular purpose, nor does SCILLC assume any liability arising out of the application or use of any product or circuit, and specifically disclaims any and all liability, including without limitation special, consequential or incidental damages. "Typical" parameters which may be provided in SCILLC data sheets and/or specifications can and do vary in different applications and actual performance may vary over time. All operating parameters, including "Typicals" must be validated for each customer application by customer's technical experts. SCILLC does not convey any license under its patent rights nor the rights of others. SCILLC products are not designed, intended, or authorized for use as components in systems intended for surgical implant into the body, or other applications intended to support or sustain life, or for any other application in which the failure of the SCILLC product could create a situation where personal injury or death may occur. Should Buyer purchase or use SCILLC products for any such unintended or unauthorized application, Buyer shall indemnify and hold SCILLC and its officers, employees, subsidiaries, affiliates, and distributors harmless against all claims, costs, damages, and expenses, and reasonable attorney fees arising out of, directly or indirectly, any claim of personal injury or death associated with such unintended or unauthorized use, even if such claim alleges that SCILLC was negligent regarding the design or manufacture of the part. SCILLC is an Equal Opportunity/Affirmative Action Employer.

PUBLICATION ORDERING INFORMATION

Literature Fulfillment:

Literature Distribution Center for ON Semiconductor
P.O. Box 5163, Denver, Colorado 80217 USA
Phone: 303-675-2175 or 800-344-3860 Toll Free USA/Canada
Fax: 303-675-2176 or 800-344-3867 Toll Free USA/Canada
Email: ONlit@hibbertco.com

N. American Technical Support: 800-282-9855 Toll Free USA/Canada

JAPAN: ON Semiconductor, Japan Customer Focus Center
2-9-1 Kamimeguro, Meguro-ku, Tokyo, Japan 153-0051
Phone: 81-3-5773-3850
Email: r14525@onsemi.com

ON Semiconductor Website: <http://onsemi.com>

For additional information, please contact your local Sales Representative.